

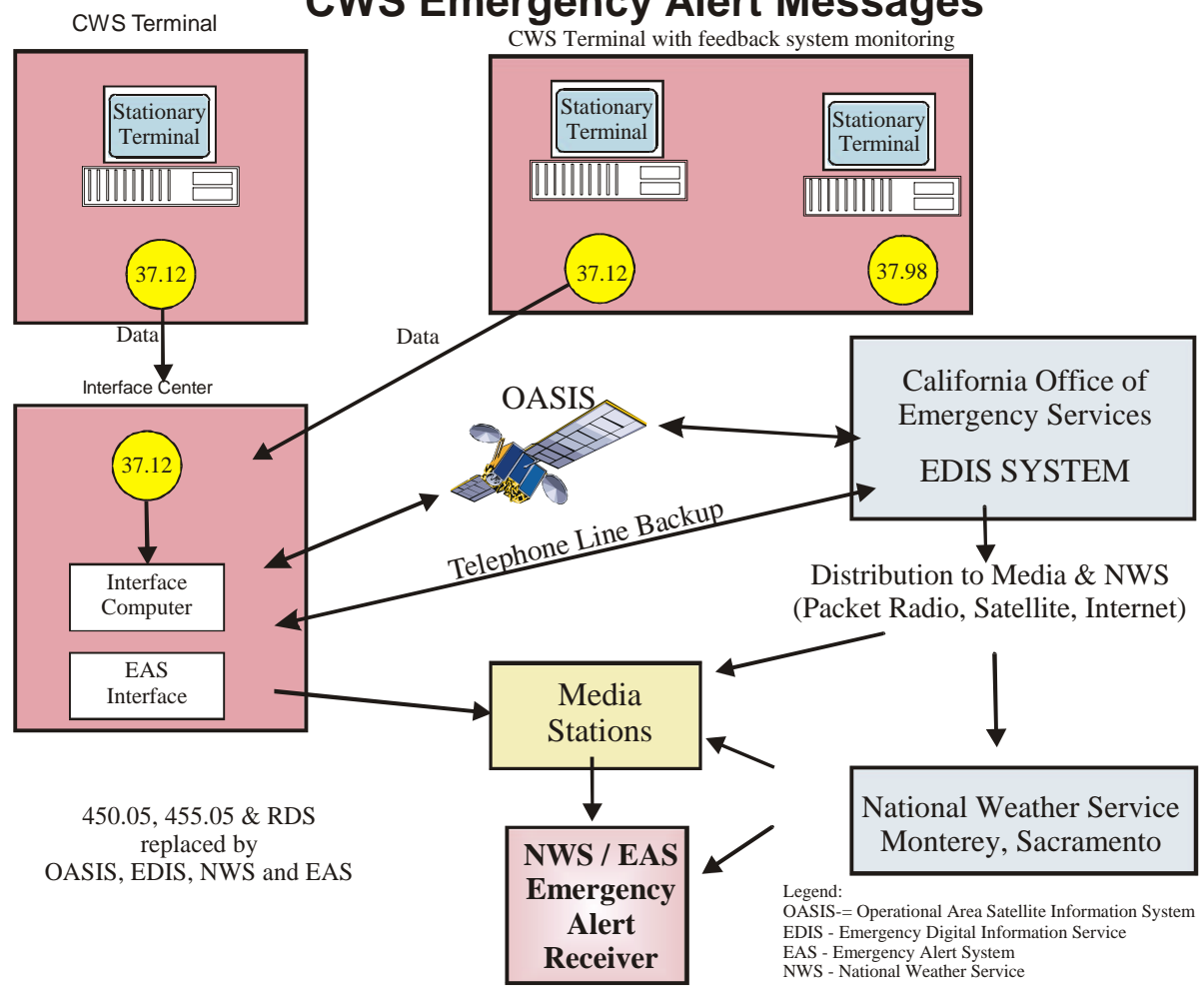
CONTRA COSTA'S CWS

Presentation to SBE Chapter 40 by
CCCAER Group, Inc.
August 30, 2000

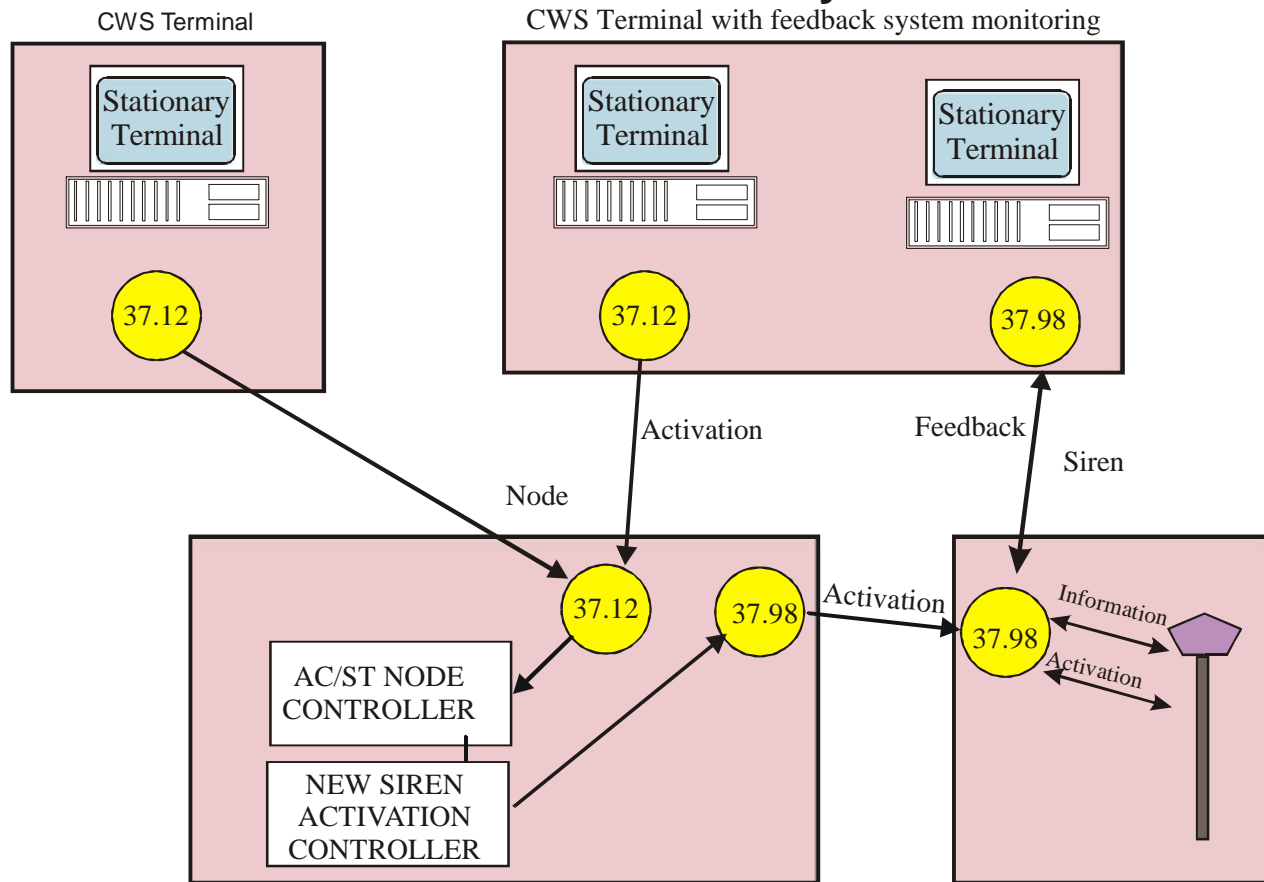
COMMUNITY WARNING SYSTEM COMMUNICATION WITH THE SF BAY AREA MEDIA

1. Uses an automatic link (via satellite) into and through the California State Emergency Digital Information Service (EDIS). (*This linking enforces the need for continual support and development of the EDIS system.*)
2. Uses a direct link to the EAS network.
3. EAS Emergency Radio Area Codes were developed for Contra Costa specific alerts – map available.
4. Uses an agreement between the National Weather Services (also includes EDIS links at NWS stations in Monterey and Sacramento—radio and satellite) and the State OES to broadcast EDIS FLASH warnings received from Contra Costa County over NWS Radio.
5. Allows public facilities in Contra Costa to purchase weather radios for emergency messaging alerts.

CWS Emergency Alert Messages



CWS Siren Activation System



450.05, 455.05 and RDS
replaced by a new 37,98 MHz frequency

BENEFITS TO THE EMERGENCY BROADCAST COMMUNITY STATEWIDE

1. Protocol developed to integrate unique (county) communities automatically into the statewide EDIS system.
2. *Filtering Software to permit end user to determine what EDIS message should be passed through, by location and priority level of message.*
3. EDIS Packet Receivers provided to 5 network stations.

EDIS Filter Settings

Only pass messages that have -->

Handling Level of

- Flash - EAS
- Urgent
- News
- Test
- Information

Source Network

- CLETS
- DES Auto Notification
- EDIS Auto Generated
- Scientific Network
- CWS
- NWS
- Any Source

Target Region of

- StateWide (All)
- Central Coast
- LA Area
- North Coast
- San Francisco Bay
- Monterey Bay
- DES Inland Region III
- Sacramento Valley
- Tahoe/Sierra
- Fresno
- Bakersfield
- Bishop/Mono
- Inland/Desert
- San Diego/Imperial

Filter Info

Cancel

OK

Priority

Source

Region

General Settings



Input COM port

Output COM port

Have passed messages:

- Sent to file
- Sent to printer
- Sent to COM port

Cancel

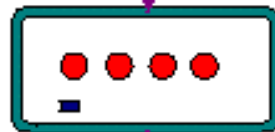
OK

Receiver/Scanner
EDIS frequency



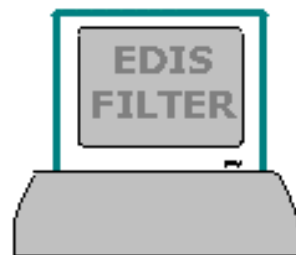
Receive the EDIS
radio signal

Terminal Node
Controller (TNC)
Packet Modem



Decode
the data stream

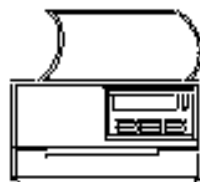
PC
with Windows
EDISFilter Program



Analyze
the received data
and disseminate it
to clients



Monitor



Printer



Data
Storage



Data stream
to other systems

NEW UPGRADES BEING DEVELOPED

An EDIS Server Program is being developed for sale to permit email paging information on filtered information (according to individual user requirements).

EDIS SERVER SCREEN SHOT

The screenshot shows a web application interface for the EDIS server. At the top, there is a navigation bar with several icons: a document, a wrench, a circular arrow, a crossed-out square, and a person icon. A dropdown menu is open, showing "Efraim Cell Phone". Below the navigation bar, there is a section titled "Passed messages for Efraim Cell Ph...". The main content area is divided into two columns. The left column displays a "Sent Msg. record" with green text showing email transmission details, including message IDs and timestamps. The right column displays a "Connection record" with purple text showing the server's activity, such as "Checking for new messages on OES web site" and "Done checking for new messages on OES web site.", along with timestamps. At the bottom of the interface, there is a status bar with the text "Largest file stamp encountered: 967509363.bt" and "secs to web refresh: 233".

Basic setup

Check web now

Delete a user

Add a user

Current user properties

Sent Msg. record

Connection record

Refresh timer

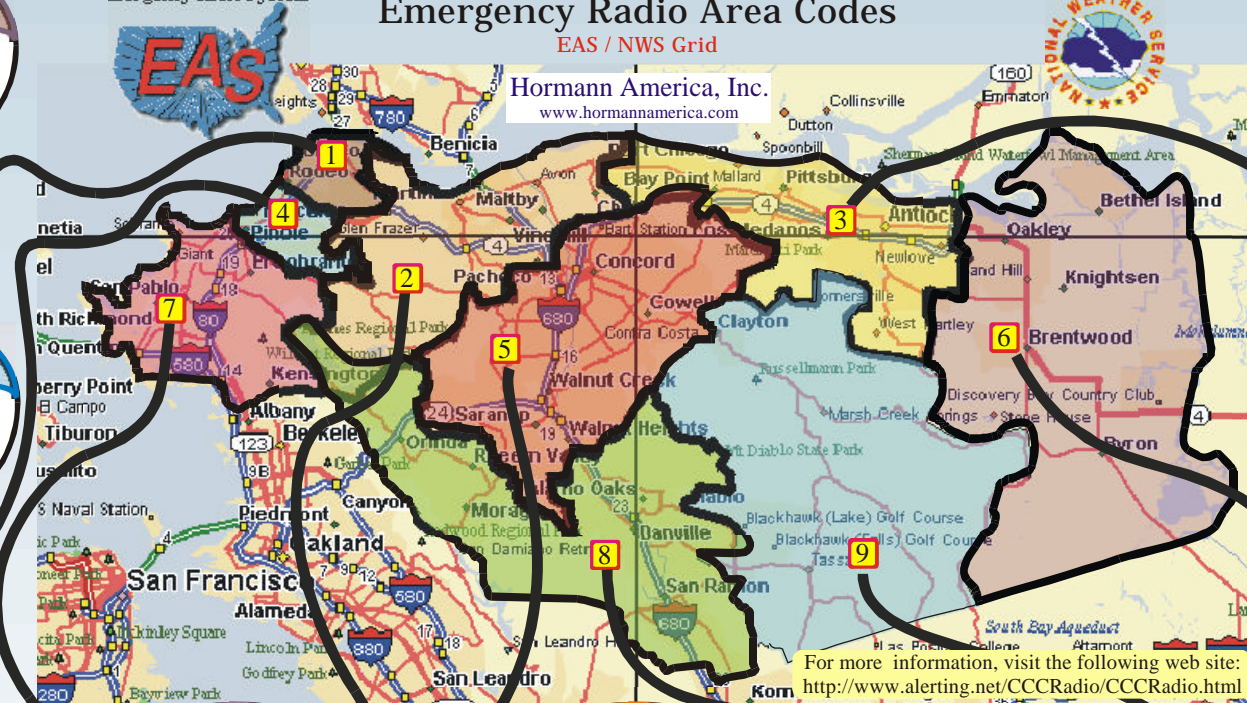
Contra Costa County Emergency Radio Area Codes

Emergency Alert System

National Weather Service

EAS / NWS Grid

Hormann America, Inc.
www.hormannamerica.com



1

Zip codes: Crockett
94569 Port Costa
94525 Rodeo
94572 Selby
Tormey

Northwest
Code: 060131

4

Zip codes: Hercules
94547 Pinole
94564

West Central
Code: 060134

7

Zip codes: N. Richmond
94530, 94706, 94707, El Cerrito
94708, 94801, 94802, El Sobrante
94803 - 94808, Kensington
94820, 94850 Richmond
San Pablo

Southwest
Code: 060137

2

Zip codes: Clyde, Vine Hill
94520 Pacheco, Martinez
(north of Hwy 4)
94553 Concord
(north of Hwy 4)

North Central
Code: 060132

5

Zip codes: Lafayette
94518 - 94524, Pleasant Hill
94527, 94529, Walnut Creek
94549, Concord
94595 - 94598 (south of Hwy 4)

Central
Code: 060135

8

Zip codes: Alamo
94507, 94526, Danville
94556, 94563, Moraga
94570, 94575, Orinda
94583, 94595 San Ramon

South Central
Code: 060138

3

Zip codes: Antioch
94509 Bay Point
94531 Pittsburg
94565 Port Chicago

Northeast
Code: 060133

6

Zip codes: Bethel Island
94511, 94513, Brentwood
94514, 94548, Byron
94561 Knightsen
Oakley

East Central
Code: 060136

9

Zip codes: Clayton
94506
94517

Southeast
Code: 060139

For more information, visit the following web site:
<http://www.alerting.net/CCCRadio/CCCRadio.html>

END OF PRESENTATION

Additional information available on the World Wide Web at www.alerting.net

Please refer inquiries as follows:

Operational questions to cccaer@pacbell.net

Technical questions to: petel@hormannamerica.com